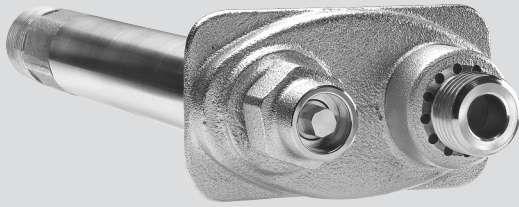




C-634 Commercial Wall Hydrant



PROFILE

The C-634 is an advanced design commercial wall hydrant product that installs with single-hole (1-3/8") ease and quickness without special tools or skills... *without carving out or roughing in recesses!* Surface mounted, it has a nearly flush appearance, and outperforms competitive hydrant products.

Benefits and Features

- Single-hole installation through 1-3/8" round hole with flush face surface-mount design
- Heavy patterned, high quality brass castings with brass insertion pipe offer more durability than copper
- Self-draining — even with hose attached and under pressure — for maximum freezeless protection
- Tested to 250,000 cycles; designed to last the life of the plumbing system
- "Triple Seal" positive shutoff system for drip-free shutoff
- Satin nickel-plated body retains original finish for years
- Can be installed in horizontal or vertical position
- Optional hydrant box (satin nickel plated or brass design)
- Self-cleaning springless backflow check valve prevents water hammer and system noise
- EPDM stopper will not adhere to brass seat
- Drainage ports are large enough to drain valve, and small enough to prevent insect nesting
- Listed and labeled to ASSE 1019-B or ASSE 1052, IAPMO/UPC and CSA B64.2

Product Description

BASIC USE

The Prier C-634 provides a year-round source of water to areas of structures that are subject to freezing temperatures. The hydrant valve is connected to the supply piping in the heated portion of the structure, eliminating the possibility of freezing. To assure freeze protection, the hydrant will drain even with the hose attached and under pressure. The C-634 is also available in a close-coupled design for applications where the freezeless feature is not required. Further, dependent upon the application's wall thickness, the C-634 can be provided in standard lengths up to 24", with longer lengths available upon request.

The ASSE 1052-approved integral vacuum breaker/backflow preventer provides protection against cross-connection with the potable water system, utilizing a check valve to prevent back pressure and a vacuum breaker to vent in the case of siphonage. A removable operating key is provided to prevent unauthorized usage of the hydrant.

COMPOSITION & MATERIALS

The C-634 is a heavy patterned, high quality, solid brass wall hydrant, incorporating a satin nickel-plated finish. The operating stem is solid brass. The stem's threaded ends, triple-seal stopper, and worm sleeve are sealed to the stem and removable to simplify future maintenance.

Technical Data

APPLICABLE STANDARDS

Meets ASSE 1019-B or ASSE 1052 and CSA B64.2.

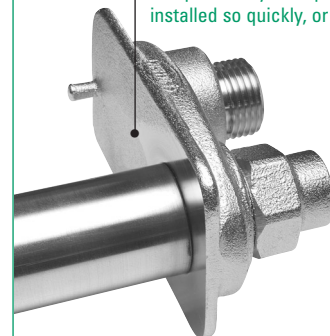
Listed with ASSE, IAPMO/UPC and CSA.

Installation

No special installation tools are required. Determine the location for installation of the hydrant. Be sure there is adequate work area on the interior of the structure for securing the hydrant to the water line. The Prier C-634 is designed for installation in either horizontal or vertical position. If installing hydrant vertically, install with hose connection in "up" position.

- Using the template provided on the box, bore a 1-3/8"-diameter hole through the wall in the desired position, and a 1/4" alignment hole that is 1/2" deep.
- Insert the hydrant through the previously bored hole and secure the hydrant to the inside of the wall with the provided wall clamping ring. Seal through-wall penetration if required.
- Flush all foreign particles from the water line before connecting the hydrant.
- Secure the hydrant to the supply piping and test for leakage.
- If planning to solder the hydrant to the supply piping, open the hydrant to the full open position before soldering. Excess heat to the valve will damage the sealing surfaces on the stem of the hydrant.

The C-634's flat backflange allows for flush installation on building exteriors, including tilt-up and masonry...without carving out or roughing in recesses. No other competitive hydrant product can be installed so quickly, or attractively.



continued on back >



C-634 Commercial Wall Hydrant

Commercial Faucets, Supplies and Trim
MasterFormat Section 22 42 39 [15400]

Options

For concealed applications, the C-634 hydrant can be installed inside of an optional hydrant box. The cast brass hydrant box is available in natural brass or satin nickel-plated finish. The hydrant box can be opened/locked with the hydrant operating key; a cylinder lock option is also available. The C-634 is available with standard 3/4", or optional 1", hose connection.

Availability & Cost

AVAILABILITY

Prier Products, Inc. maintains relationships with hundreds of stocking plumbing supply wholesalers and distributors throughout the United States. For more information regarding local availability of the C-634 wall hydrant, contact Prier.

COST

Selling price of the C-634 wall hydrant is established by stocking wholesalers and distributors.

Warranty

Prier Products, Inc. guarantees its C-634 wall hydrant products to meet ASSE 1019-B or ASSE 1052 and CSA B64.2 standards. Further, Prier warrants the products to be free from material and manufacturing defects for a period of one year after purchase. Contact Prier for further warranty information and conditions.

Maintenance

The C-634 wall hydrant requires no special or scheduled maintenance. If the operating stem is removed, replacement of the O-rings on the worm sleeve and worm drive is recommended.

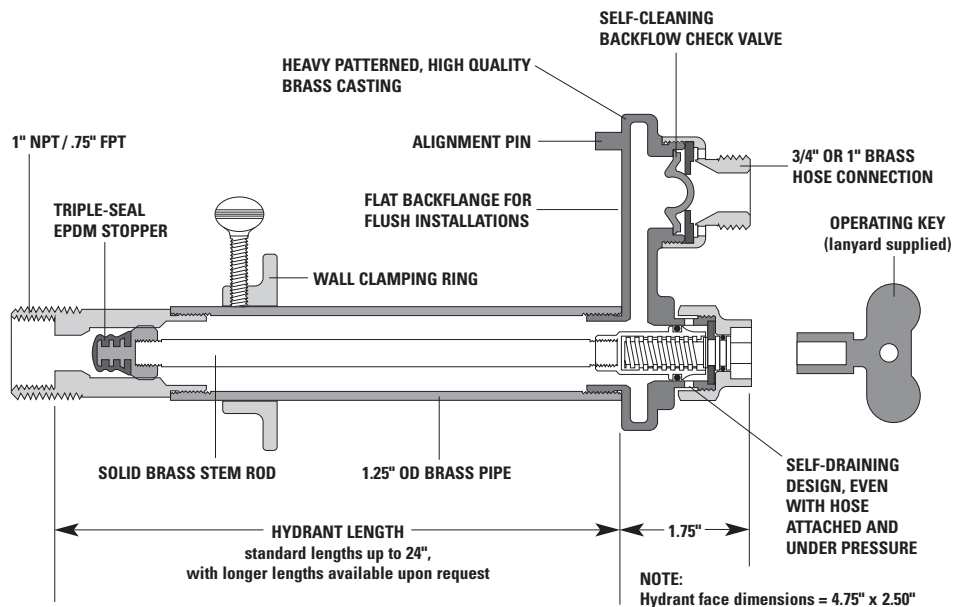
Technical Services

Prier Products, Inc. can provide comprehensive product and application assistance to plumbing engineers, installers and building maintenance personnel. Further, sales representatives are available nationwide to provide field support. For a listing of field sales representatives, visit www.prier.com.

U.S. patents pending

The oval PRIER logo is a registered trademark of Prier Products, Inc.

© 2004 Prier Products, Inc. Litho USA | March 2008



Sample Specifications

Furnish and install Model C-634 commercial key-operated wall hydrant manufactured by Prier Products, Inc. Hydrant shall be surface mounted, installed through a 1-3/8" opening and secured with wall clamping ring. Hydrant shall have automatic draining capabilities with integral vacuum breaker/backflow preventer. Hydrant shall be capable of flowing a minimum of 15 gallons per minute at 25 psi pressure change. Hydrant shaft shall be brass with threaded and sealed connections. Hydrant shall have _____ (choose 3/4" or 1") hose connection with freezeless water flow and self-draining functions, one-piece valve plunger, satin nickel finish, brass operating rod with positive triple-seal shutoff mechanism. Hydrant shall be approved under ASSE 1019-B or ASSE 1052 (choose option) standards. Operating key and wall clamping ring

to be furnished with each hydrant. Hydrant insertion length to be _____ inches (close coupled to 24" length, in 2" increments).

Optional:

Furnish and install hydrant box for each hydrant. Hydrant box shall be manufactured of solid cast brass with a _____ (choose *natural brass* or *satin nickel-plated brass*) finish. Access to the hydrant box shall be provided by _____ (choose *hydrant's operating key* or *cylinder lock and key*).



Prier Products, Inc.

4515 East 139th Street
Grandview, MO 64030
tel: 800.362.9055
fax: 800.362.1463
email: info@prier.com
www.prier.com

ABOUT PRIER

Established in 1881, Prier Products, Inc. has become a leading designer and manufacturer of quality plumbing products for residential, commercial and industrial applications. Product offerings include freezeless hydrants, angle sill faucets, drainage products, and gas log lighter equipment and accessories.