

SPEAKMAN®

S-2252-E2C



DESCRIPTION

Polished chrome plated ANYSTREAM showerhead. Brass ball swivel joint. Brass shank. Spray adjusting T-handle. 2-3/4" face. 6 Lexan deposit resisting plungers with 48 spray channels. Water conserving pressure compensating AUTOFLO® device reduces flow to 2.0 GPM/7.6LPM maximum, to meet existing ANSI A112.18.1M Standard. 1/2" NPTF inlet.

SPECIFICATIONS

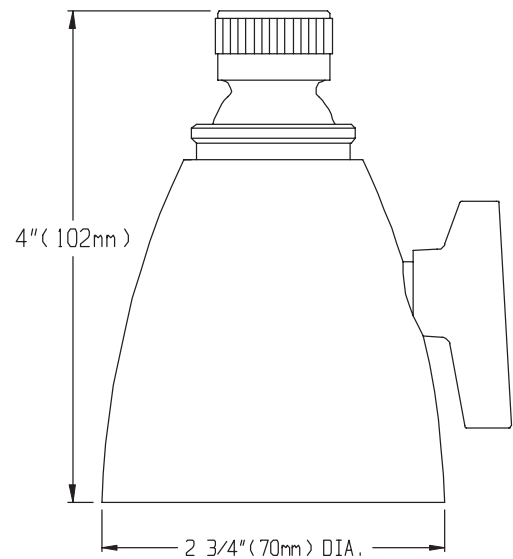
SUPPLY INLET: 1/2" NPTF

FLOW RATE: 2.0 GPM/ 7.6 L/MIN MINIMUM

FLOW CONTROL: VARIABLE

SHIPPING WEIGHT: 1.19 LBS.

1/2" NPT FEMALE



Job Name _____
Location _____
Architect/Engineer _____
Sales Representative _____
Wholesaler _____
Date _____ Model # _____