

# SPEAKMAN®

S-2253-E20, S-2253-E175, S-2253-E15

## DESCRIPTION

Polished chrome plated ANYSTREAM showerhead. Brass ball swivel joint. Chrome plated shank. Spray adjusting T-handle. 2-1/4" face. 4 Lexan deposit resisting plungers with 32 spray channels. Water conserving pressure compensating AUTOFLO® device reduces flow to 2.5 GPM/9.46LPM maximum, to meet existing ANSI A112.18.1M Standard. 1/2" NPTF inlet.

## SPECIFICATIONS

SUPPLY INLET: 1/2" NPTF

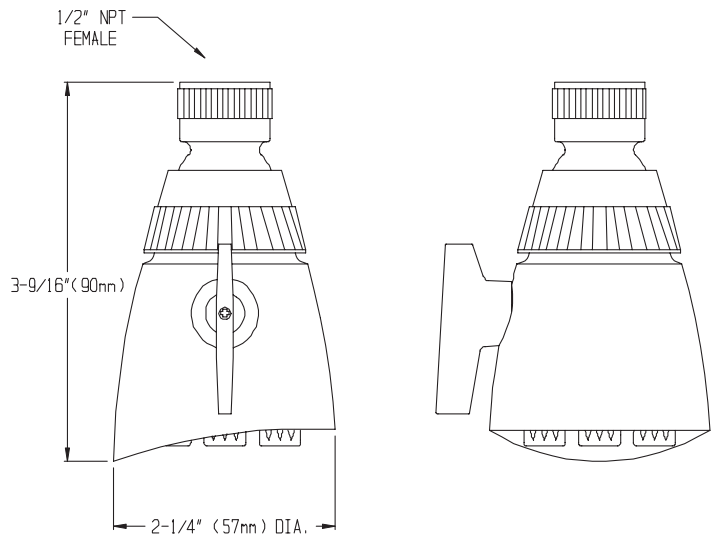
FLOW RATE: 2.0 GPM/ 7.6 LPM

1.75 GPM/6.6 LPM

1.50 GPM/5.7 LPM MIN

FLOW CONTROL: VARIABLE

SHIPPING WEIGHT: 0.46 LBS.



Job Name _____
Location _____
Architect/Engineer _____
Sales Representative _____
Wholesaler _____
Date _____ Model # _____